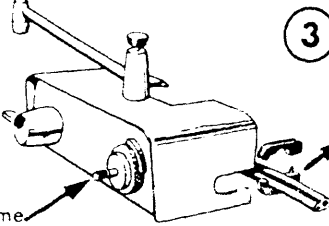
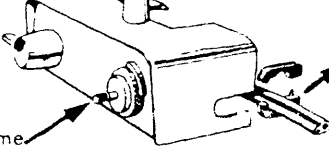


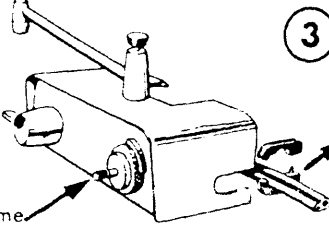
#1080

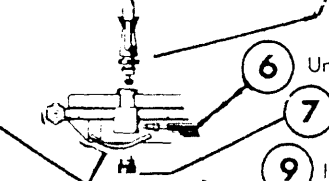
INSTRUCTIONS

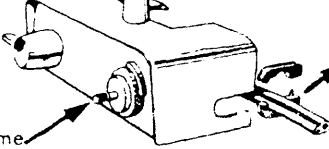
Water supply to DISHMASTER must be turned off to make this replacement.

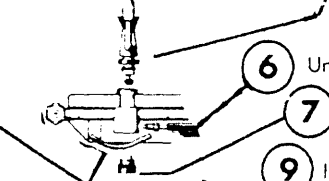
- 

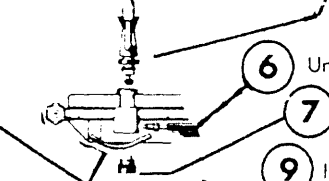
1 Remove Screws & pull Handles forward to remove.
- 

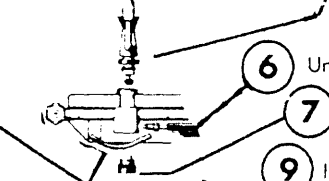
2 Unscrew Largest Knurled Rings & pull Large Chrome Cover forward to remove.
- 

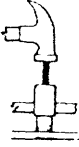
3 Push out to remove Hose Assembly from Cover.
- 


4 Pull to remove Clear Plastic Tube from Hose & Tank. With Spout pointing straight forward, lift Tank up to remove.
- 

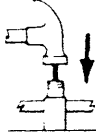
5 Unscrew Knurled Brass Nut & lift up to remove. CAUTION - Upon re-assembly DO NOT tighten Knurled Nut too tight as Spout must swivel freely.
- 

6 Unscrew Hex Nut to remove Hose.
- 

7 Unscrew Knurled Nut to remove.
- 

8 Unscrew Hex or Knurled Nuts to remove Unit from Union Fitting.
- 

9 Insert Tool, Small End first, into Bottom of Body; hit with hammer to drive out Old Insert and Washer.
- 

10 Slip New Insert and Washer onto Small End of Tool and Insert into Body as shown.
- 

11 Rest Body on table as shown; gently drive Tool down until its end hits table. Remove Tool & re-assemble Unit.

NOTE: clean Detergent Tank before re-assembly.

NOTE: Follow Step No. 11 on Page 2 of your Service Manual for correct setting of Valve Handles