

# DISHMASTER®

## Model M76

### Installation Instructions

#### Kit # 1088

#### Spout Seals Kit

NOTE: Screen is not used on M76  
Lubricate all o-rings before assembly.

**Water supply to DISHMASTER need not be shut-off to make this repair**

1. Remove screws and pull handles forward to remove.

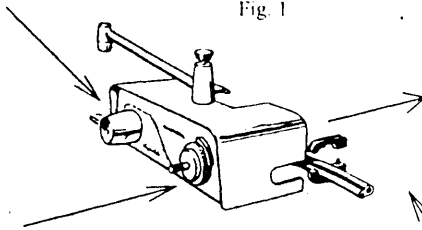
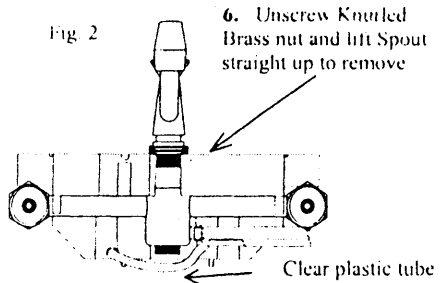


Fig. 1

2. Unscrew largest knurled rings & pull Chrome Cover forward to remove. NOTE; Before Re-installing cover turn on water to check for leaks.
3. Remove Hose Assembly and Retaining Clips by pushing them out of slot to the rear as shown.
4. Pull Clear Plastic tube from hose and Tank. Fig 2
5. With Spout pointing straight forward lift tank up to remove. Clean tank before re-assembly.



7. Using a 3/16" Allen wrench unscrew the spout section insert and remove it. See caution note on FIG. 3. If the 8 hole disk remains in the spout section, you can bend a piece of wire (you can use a paper clip) so it has about a 1/8" long lip to remove the disk
8. Now clean out any debris or foreign matter. Use a paper towel to clean the inside of the spout section. Be sure you have all three O-rings removed from the spout section before installing the new insert assembly. See Fig. 3
9. Pull up on knob and turn Diverter assembly until it locks in spout then unscrew knob (counter-clock wise) and remove assembly from Spout

Fig. 3

**CAUTION:** Be sure that the lower 2095 O-ring did not remain in O-ring recess when insert was removed. If the 2095 O-ring is in this recess you will not be able to re-install insert assembly.

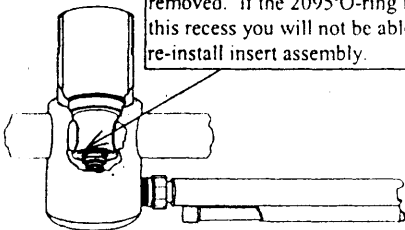
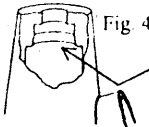


Fig. 4

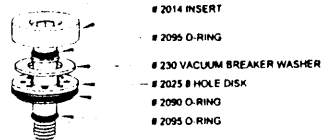
O-ring recess must be clean and O-ring must be removed



10. **CAUTION;** Be sure that the Diverter Rod O-ring did not remain in recess at top of Spout. If the O-ring is in the O-ring recess carefully push small end of Diverter Rod through the 3/16" hole in the top of the Spout. This should dislodge the O-ring and let it fall out of the Spout. This O-ring must be removed or there will be a water leak around the Diverter Rod after re-assembly of the your DISHMASTER.
11. Remove Lock Ring and O-ring from Spout

#### RE-ASSEMBLY

1. Assemble Insert as shown below.

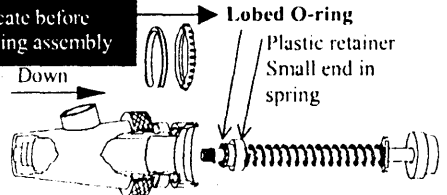


2. Reinstall insert assembly in spout section. Screw assembled insert into threaded hole in O-ring recess approximately 3/4 turns stop when insert will not turn easily.

**CAUTION DO NOT OVER TIGHTEN INSERT.**

3. Install Spout Retaining Nut, then new large O-ring in deep groove and new red Lock ring in shallow groove on spout with tapered edge down.
4. Assemble Diverter Rod Assembly as shown.

Lubricate before installing assembly



5. Install diverter Assembly into Spout carefully so that you do not dislodge the lobed O-ring.
  6. Reverse disassembly steps starting at step nine and reassemble your Dishmaster faucet.
- Note- Hold Diverter up while installing Spout in Body

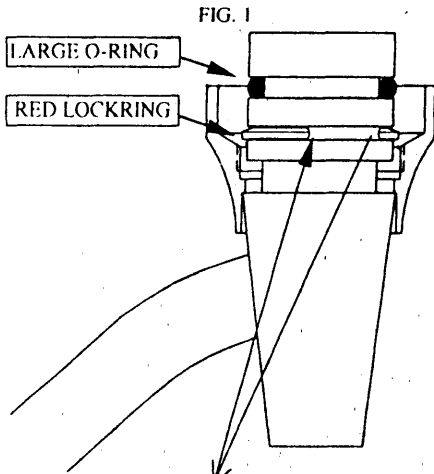
**DISHMASTER®**  
**Model M2000**  
**Installation Instructions**  
**Kit # 1088**  
**Spout Seals Kit**

For installation or service advice  
 Call toll free 1-800-521-9234  
 Monday thru Friday: 8:30 am to 4:30pm  
 Eastern Time Zone

**Water supply to DISHMASTER need not be shut-off to make this repair**

1. Unscrew Chrome Spout Retaining Nut and lift Spout straight up to remove. If it is necessary to use pliers to loosen Chrome Nut pad the jaws of the pliers to avoid damage to Chrome Nut.
2. Pull up on knob and turn Diverter assembly until it locks in spout then unscrew knob (counter-clock wise) and remove assembly from Spout
3. With spout upside down, use a small screwdriver or a pencil point to hold one end of the RED LOCKRING in place, and then use another small screwdriver to pull the other end of the lock ring out of the groove and up. See Figure # 1
4. Using a 3/16 " Allen wrench unscrew the spout section insert and remove it. See caution note on FIG. 3. If the 8 hole disk remains in the spout section, you can bend a piece of wire (you can use a paper clip) so it has about a 1/8 " long lip to remove the disk

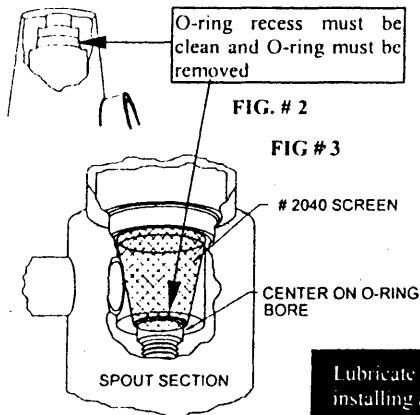
5. Remove the Screen from the Screen cavity. See figure # 3
6. Now clean out any debris or foreign matter. Use a paper towel to clean the inside of the spout section. Be sure you have all three O-rings removed from the spout section before installing the new insert assembly. See Fig. 3



**Place screwdriver tips at these points.**  
**NOTE: Lubricate all o-rings prior to installation.**

Caution: lubricate all O-rings with vegetable before assembly.

**RE-ASSEMBLY**

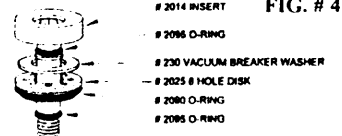


3. Reinstall insert assembly in spout section. Fig. 4. Screw assembled insert into threaded hole in O-ring recess approximately 3/4 turns stop when insert will not turn easily. See figure # 3

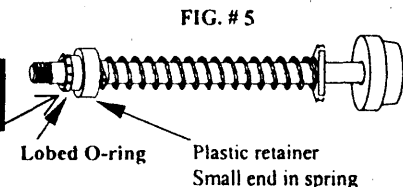
**CAUTION DO NOT OVER TIGHTEN INSERT.**

4. Place Chrome Retaining nut on Spout as shown in Figure # 1.
5. Install new large O-ring in O-ring groove.
6. Slide Red Lockring down past O-ring and into locking groove as shown in Figure # 1. Be sure tapered side of locking is up
7. Assemble Diverter Assembly as shown in Figure # 5.

1. Install the 2040 Screen in Spout Section as shown in Figure # 3. The small end of the Screen or screen wire must not intrude on O-ring bore, or a leak through the brush may result.
2. Assemble Insert as shown below.



Lubricate before  
installing assembly



8. Install diverter Assembly into Spout carefully so that you do not dislodge the lobed O-ring.
9. Hold Diverter Assembly up and carefully install Spout into Spout Section. Tighten Spout Retaining Nut as tight as possible by hand. Then using padded jaw pliers tighten an additional 1/4 turn.

**NOTE: Plastic tube is not used on M2000.**