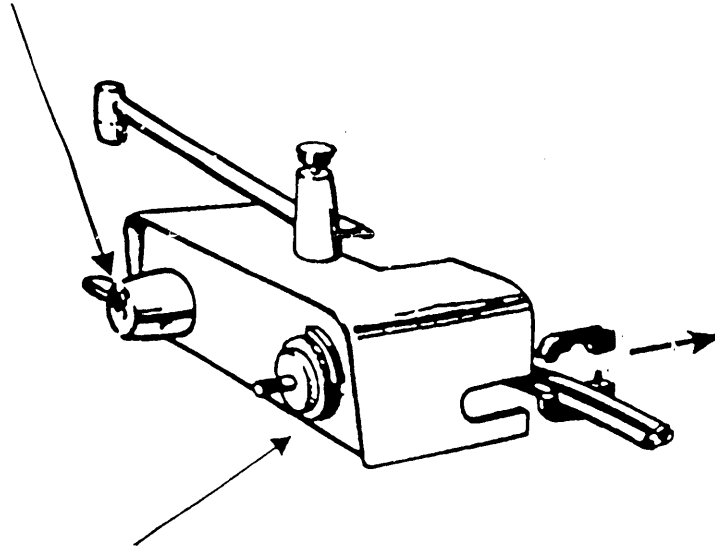


INSTALLATIONS INSTRUCTIONS
MODELS M76 & M87

WATER NEED NOT BE TURNED OFF

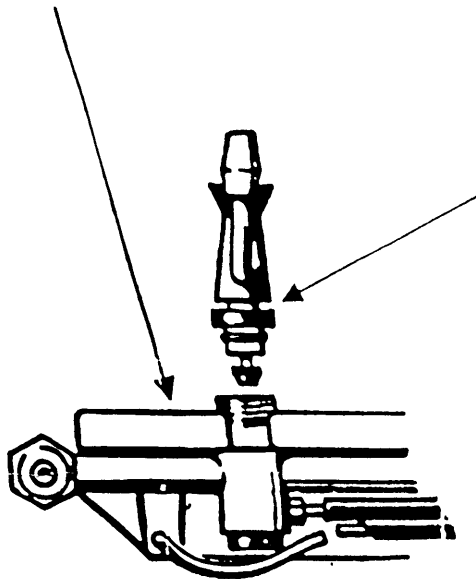
1. Remove screws and pull handles forward to remove.



2. Unscrew largest knurled Rings & pull large Chrome Cover forward to remove.

3. Push out to remove Hose assembly from Cover.

4. Pull to remove Clear Plastic Tube from hose & Tank. With spout pointing forward, lift tank to remove.



5. Unscrew Knurled Brass Nut & lift Straight up to remove Spout.

NOTE: Clean detergent tank before re-assembly.

6. Re-assemble unit by reversing above steps.

CAUTION: Upon re-assembly, do not tighten knurled nut too tight as spout must swivel freely.

NOTE: Follow step 11 on page 2 of your service manual for correct setting of valve handles on Models M59 thru M87.